

Electric loom kit for bypass valves.

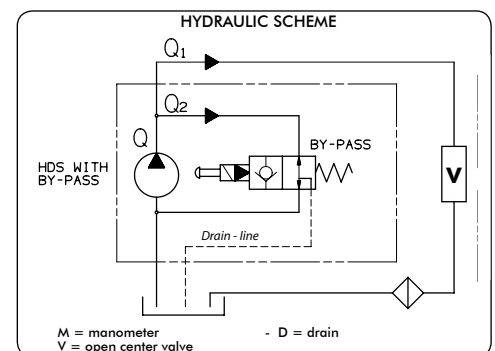
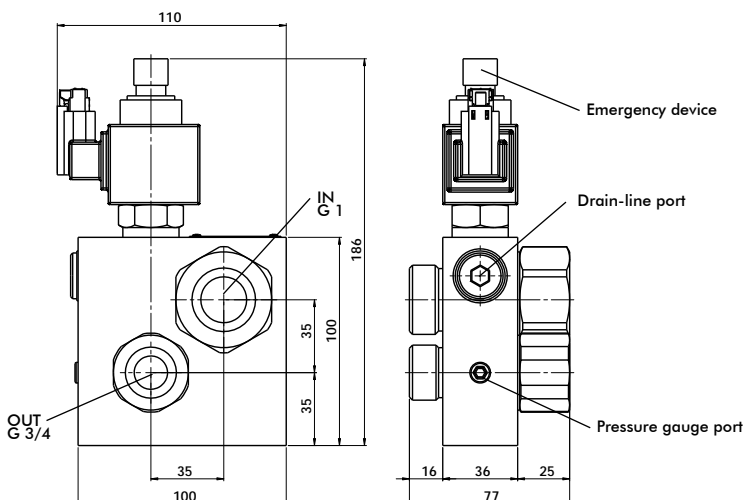
Hereby we are pleased to inform you that it is now available an electric loom kit for bypass valves for bent axis piston pumps complete with DEUTCH connector and cable L= 6 meters.

The order code is: **306-001-02357**



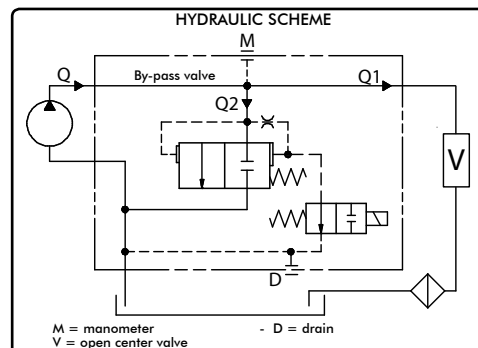
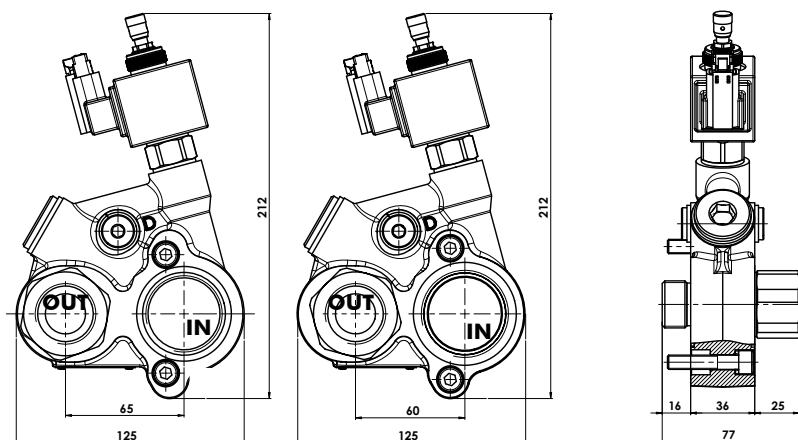
Our range of bypass valves consists of the following versions suitable for our bent axis piston pumps series HDS, HDT and TWIN FLOW.

By-pass valve for HDS 12-17-25-34



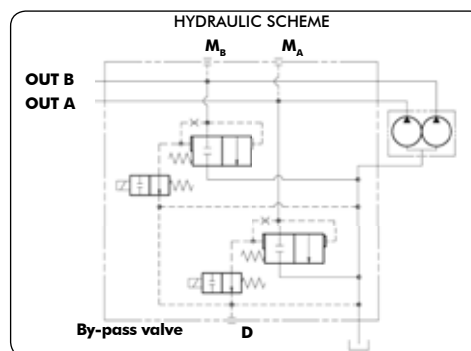
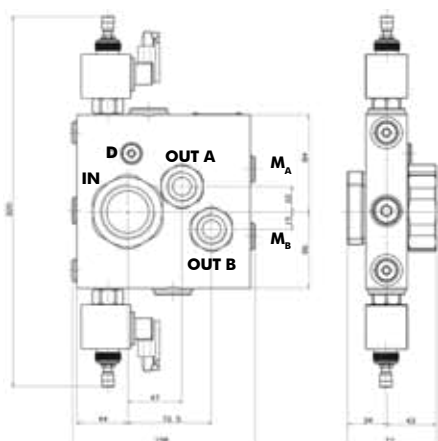
Pump type	By-pass valve order code		Pressure			Max. pump speed without load rpm	Enclosure	Coil power Watt
	12V	24V	P1 bar	P2 bar	P3 bar			
HDS-12 HDS-17 HDS-25 HDS-34	108-200-12345	108-200-24341	350	370	400	3000	IP 66	22

By-pass valve for HDS - MDS - HDT



Pump type	By-pass valve order code		Pressure			Max. pump speed without load rpm	Enclosure	Coil power Watt
	12V	24V	P1 bar	P2 bar	P3 bar			
HDS-40 HDS-47 HDS-55 HDS-64 MDS-80	108-200-12498	108-200-24494	350	370	400	2700	IP 66	22
HDS-84 HDS-108 MDS-130			350	370	400			
HDT-75 HDT-84 HDT-96 HDT-108	108-200-12881	108-200-24887	350	370	400	2300		

By-pass valve for TWIN FLOW



Pump type	By-pass valve order code		Pressure			Max. pump speed without load rpm	Enclosure	Coil power Watt
	12V	24V	P1 bar	P2 bar	P3 bar			
TWIN-FLOW 53+53 70+35	108-200-12541	108-200-24547	350	370	400	2500	IP 66	22
TWIN-FLOW 70+70			108-200-12710	108-200-24716				